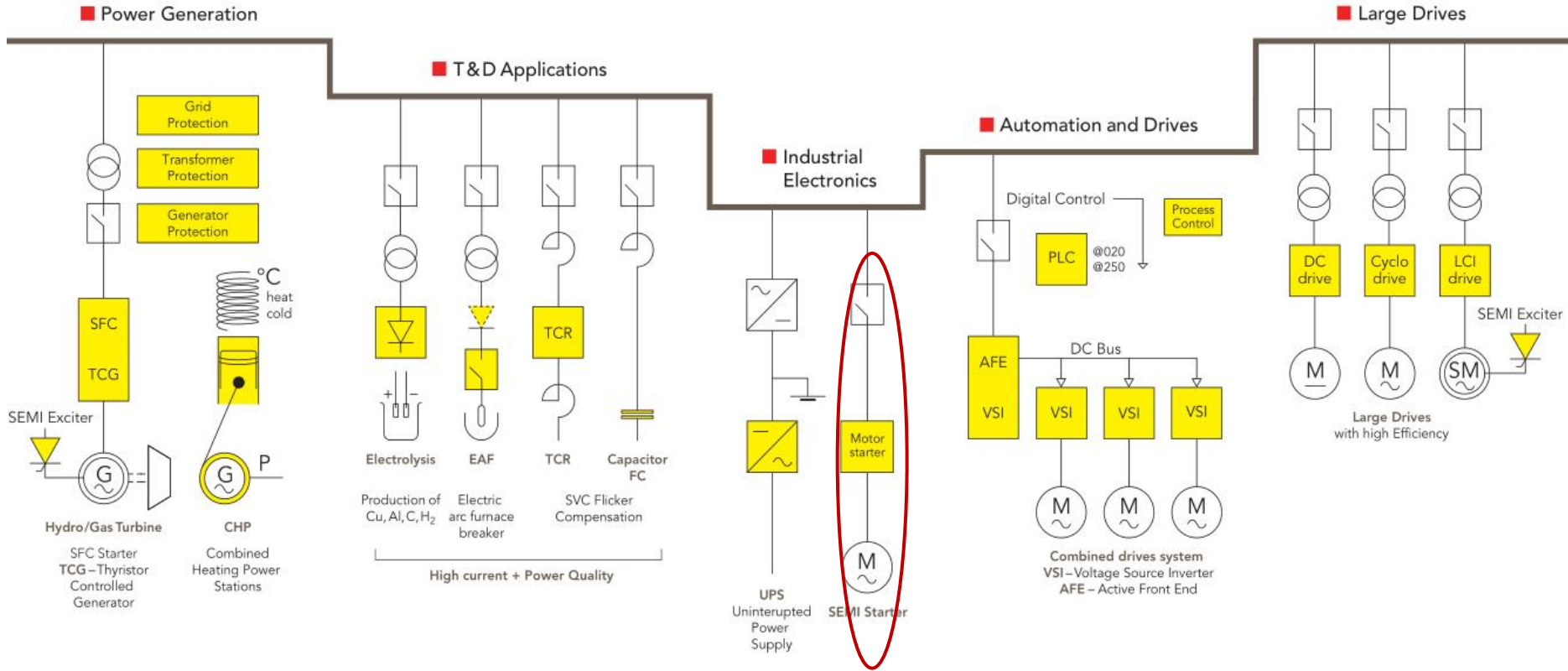


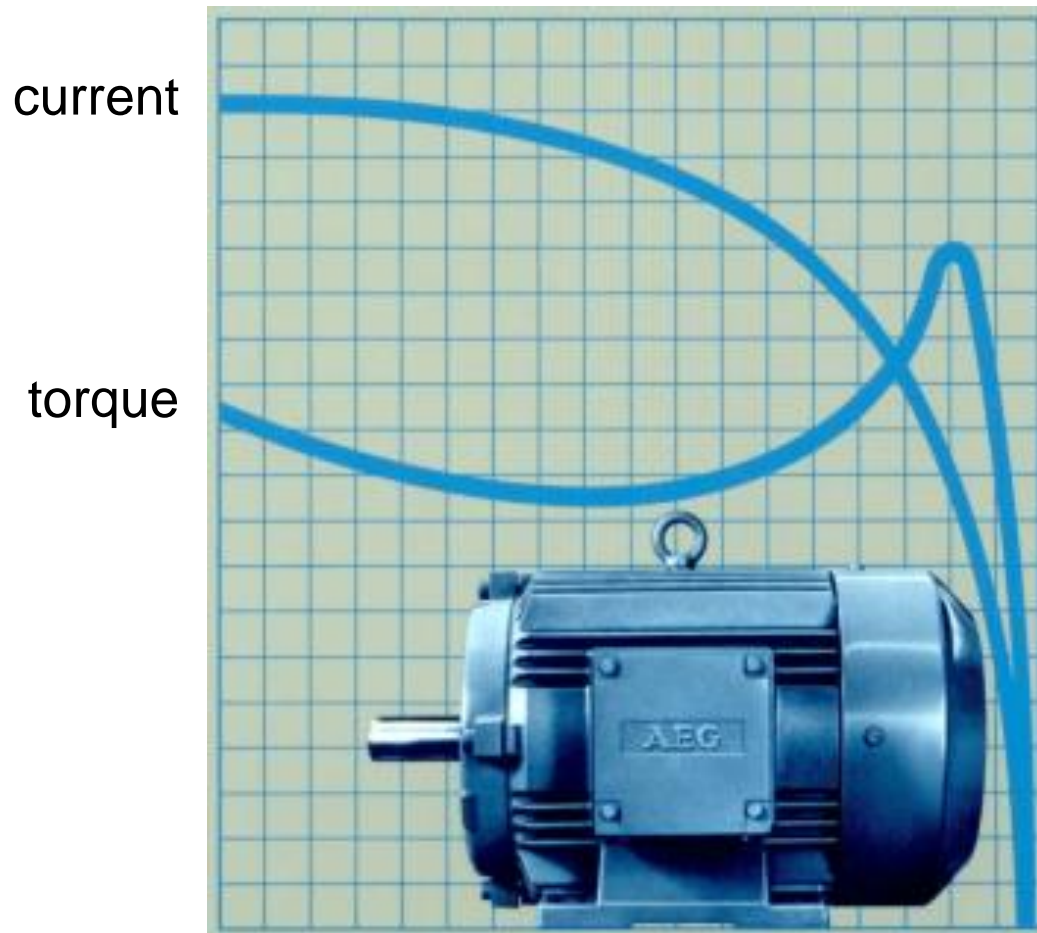
FIELDS OF ACTIVITY



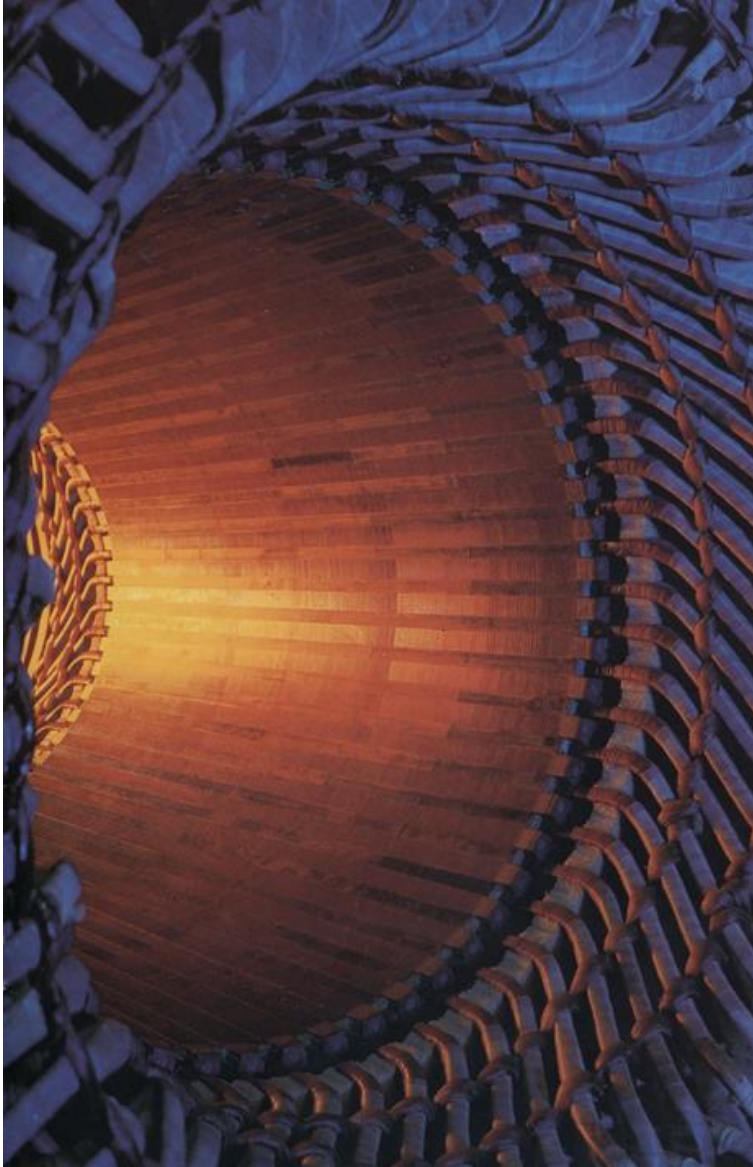
Aug 2014



Induction Motors + Slipring Rotor



Asynchronous motor – Stator picture



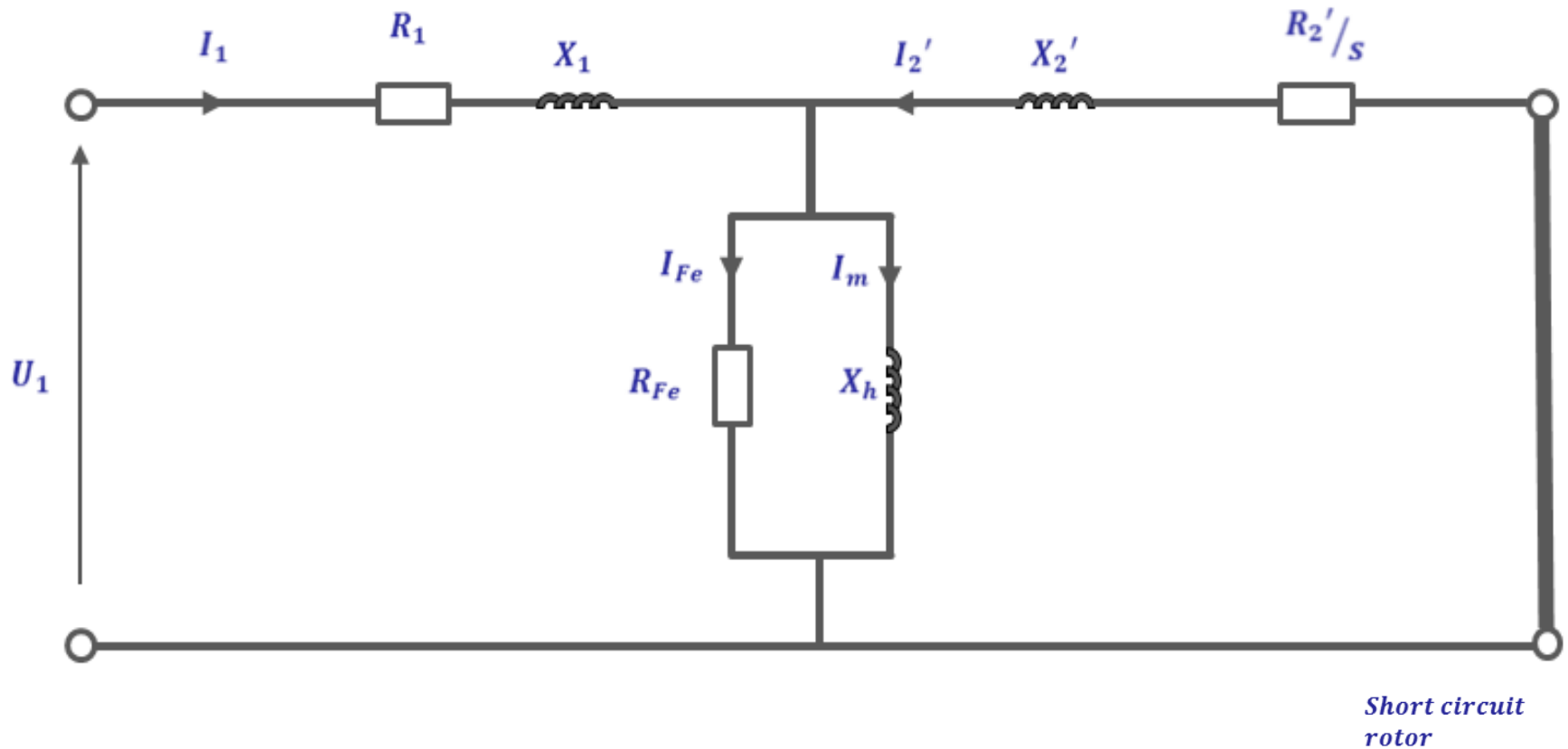
Asynchronous motor – 1.000 kW



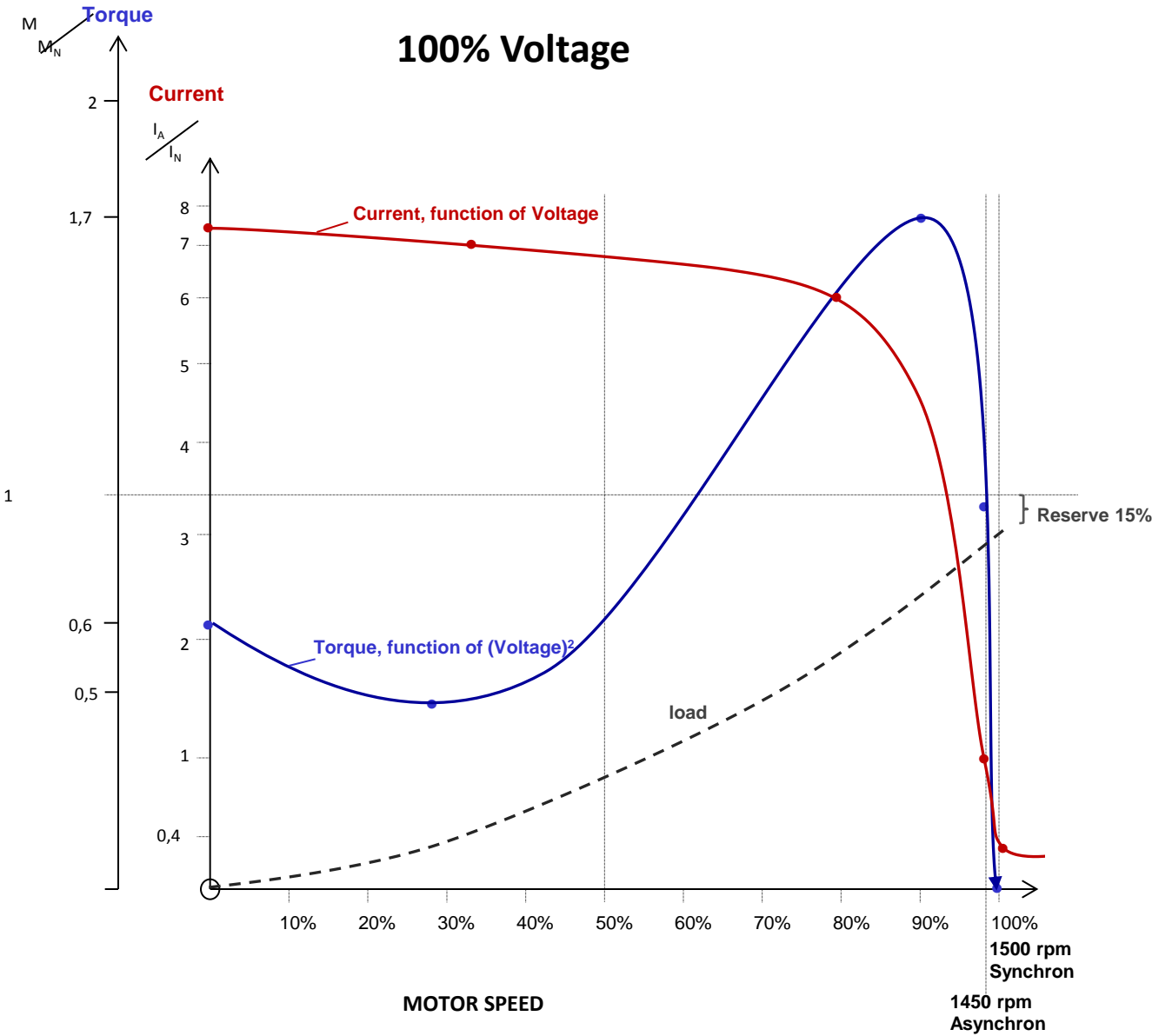
Asynchronous motor – 10.000 kW



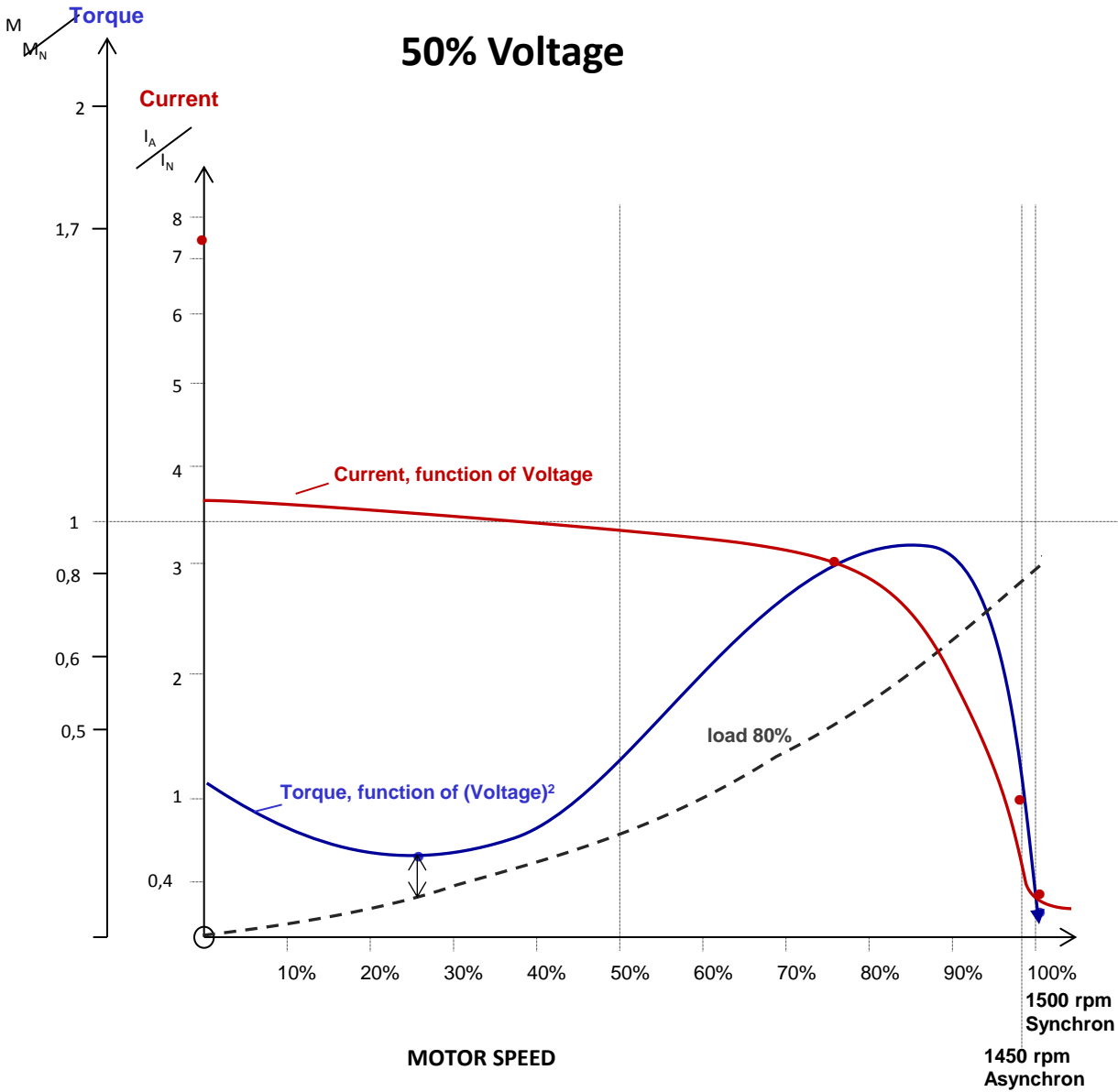
Asynchronous motor - circuit diagram



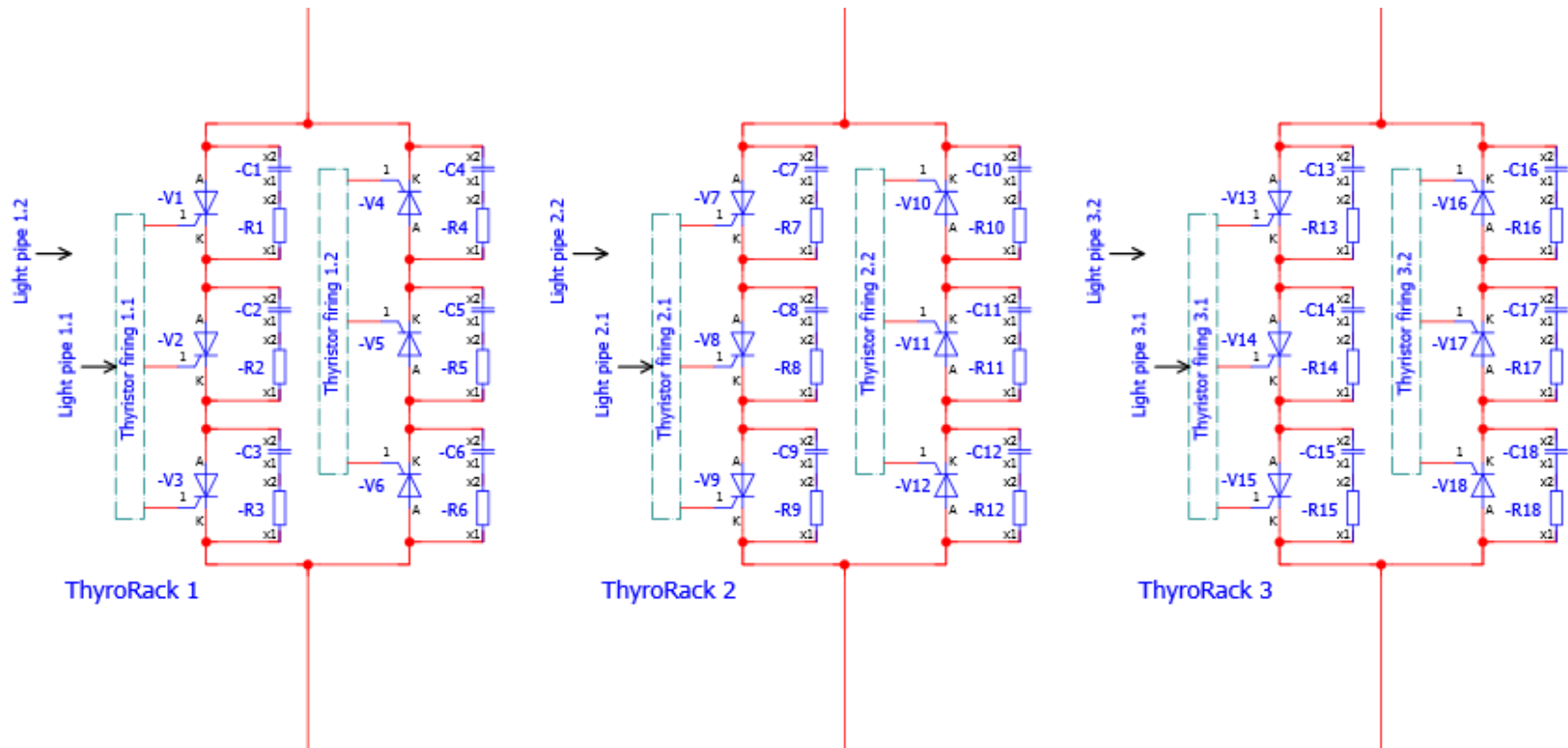
SEMI Soft motor starter for AC asynchronous motor



SEMI Soft motor starter for AC asynchronous motor



Single line



Application 6,6kV
3 Thyristoren in series (each 8kV)
Application 10kV
4 Thyristoren in series (each 8kV)

Construction in a drawer

SEMI Soft 6.6 kV, 3.5 MW

